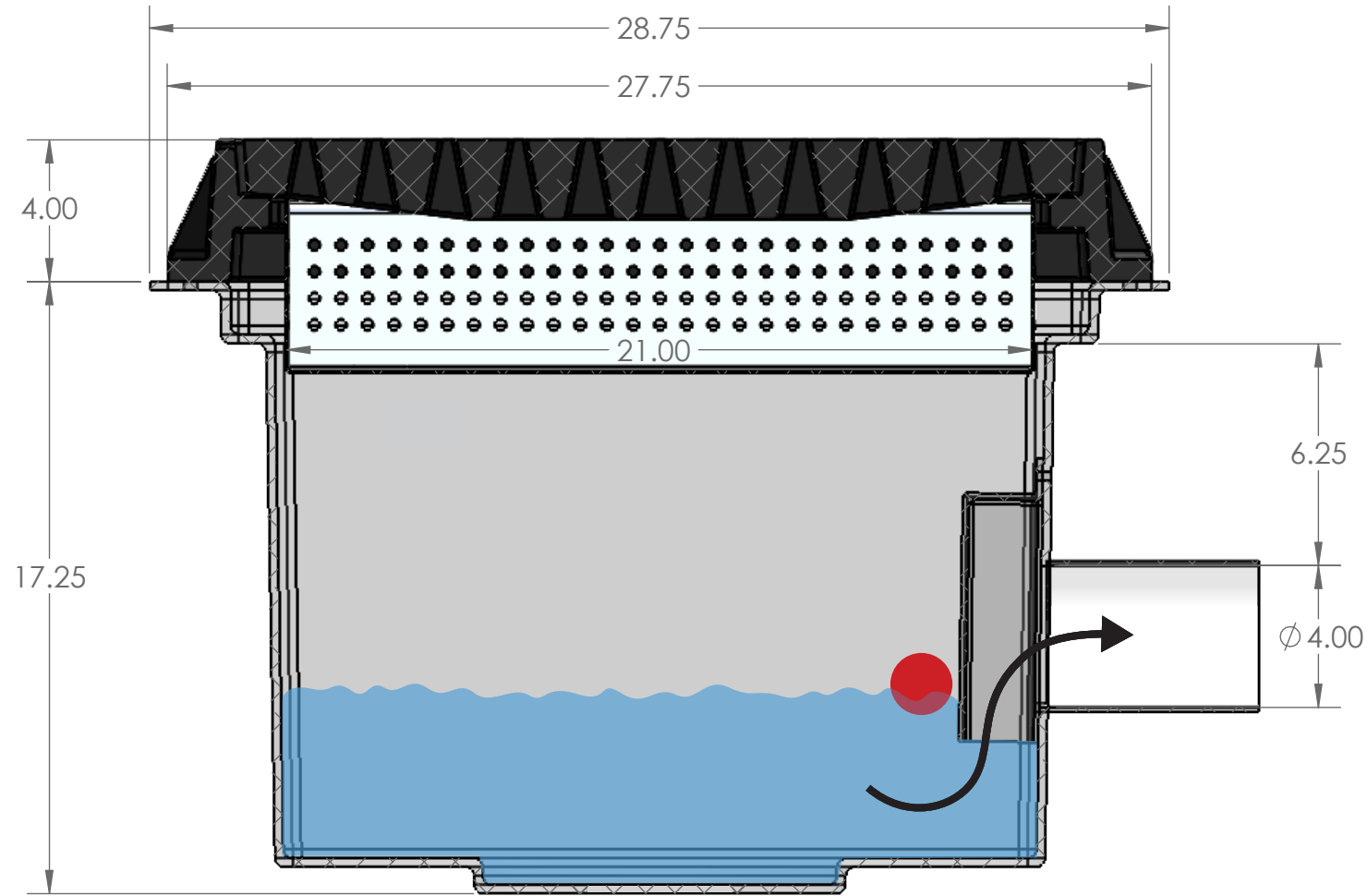
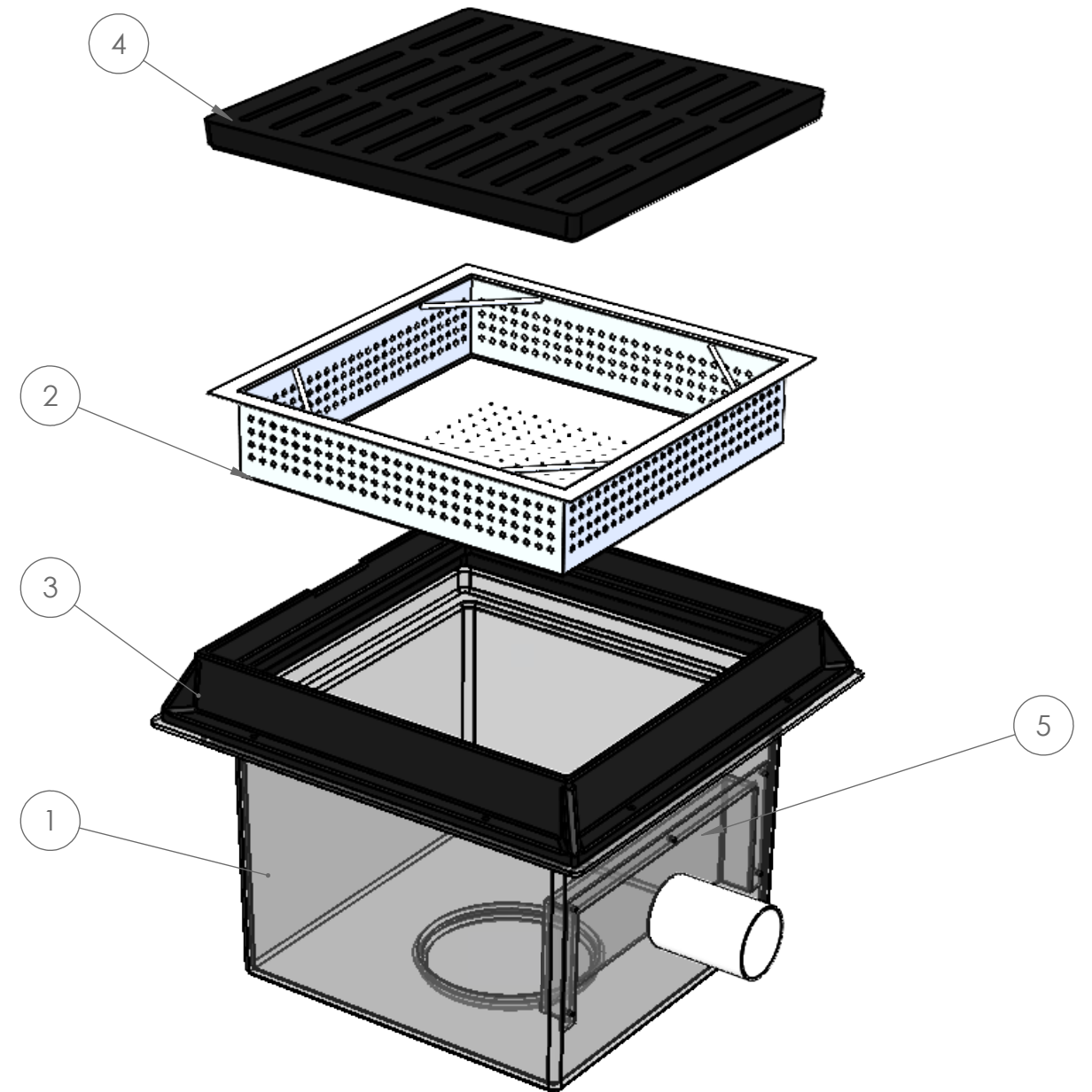


Oil Absorbing Sock:
Absorbs and retains oils and oil-based liquids, including lubricants and fuels, without absorbing water.



SECTION A-A
SCALE 1 : 5



| ITEM NO. | PART NUMBER | DESCRIPTION | QTY. |
|----------|--------------|--|------|
| 1 | WDS-1004-001 | Heavy Duty Molded Fiberglass Pit with Hydrocarbon Baffle and 4-Inch Outlets to Sewer and Storm Water | 1 |
| 2 | WDS-1004-002 | Stainless Steel Silt and Solids Basket | 1 |
| 3 | WDS-1004-003 | H2O Load Rated Cast Iron Grate Frame | 1 |
| 4 | WDS-1004-004 | H2O Load Rated Cast Iron ADA Grate | 1 |
| 5 | WDS-1004-005 | Hydrocarbon Entrapment Baffle | 1 |

Wastewater Diversion Systems Inc
(804) 730-1280
8418 Erle Rd
Mechanicsville, VA 23116

WDS-1004

Oil, Silt, Solids Containment Chamber

10/3/2023

SEK

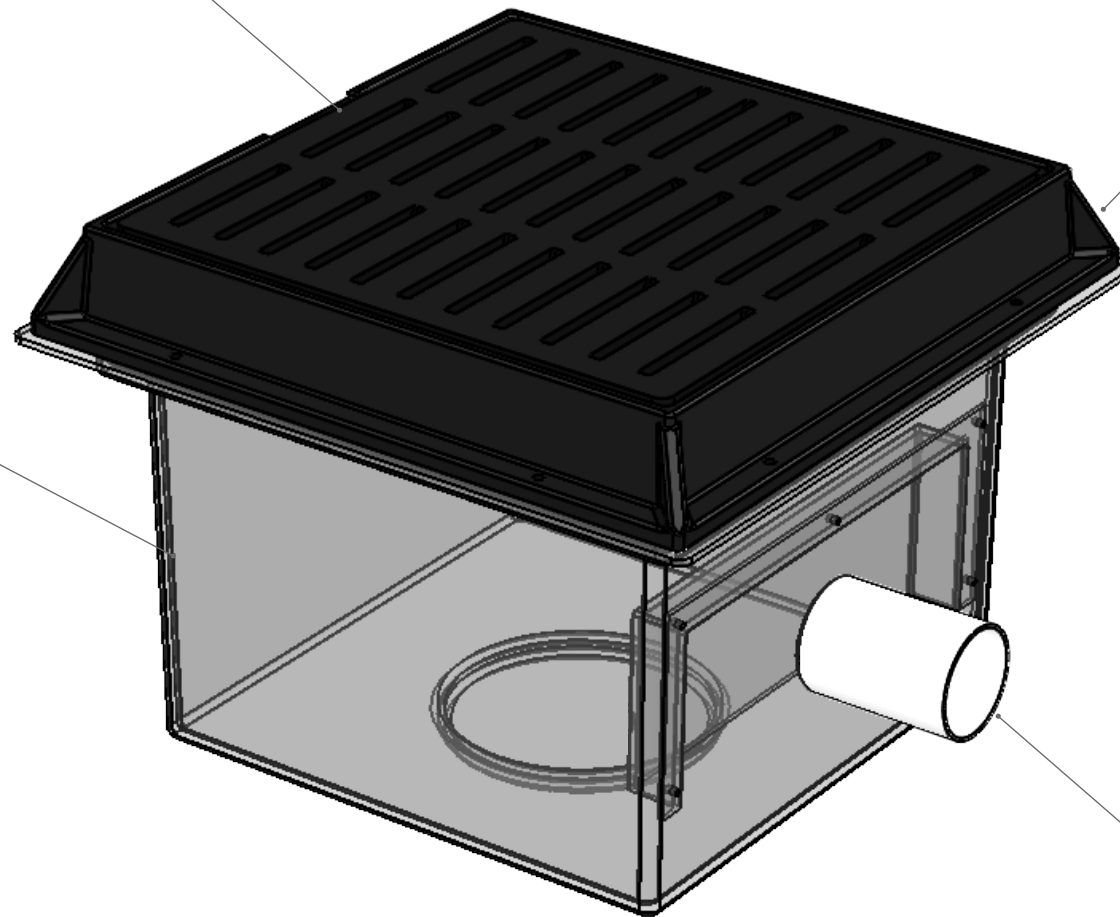
Solids Containment Chamber

H2O Load Rated Cast Iron ADA Grate

H2O Load Rated Cast Iron Grate Frame

Heavy Duty Molded Fiberglass Pit with Hydrocarbon Baffle

4-Inch Storm Water Outlet



Wastewater Diversion Systems Inc

(804) 730-1280

8418 Erle Rd

Mechanicsville, VA 23116

WDS-1004 (9-22-23)

(WDS SCC4)

9/22/2023

SEK