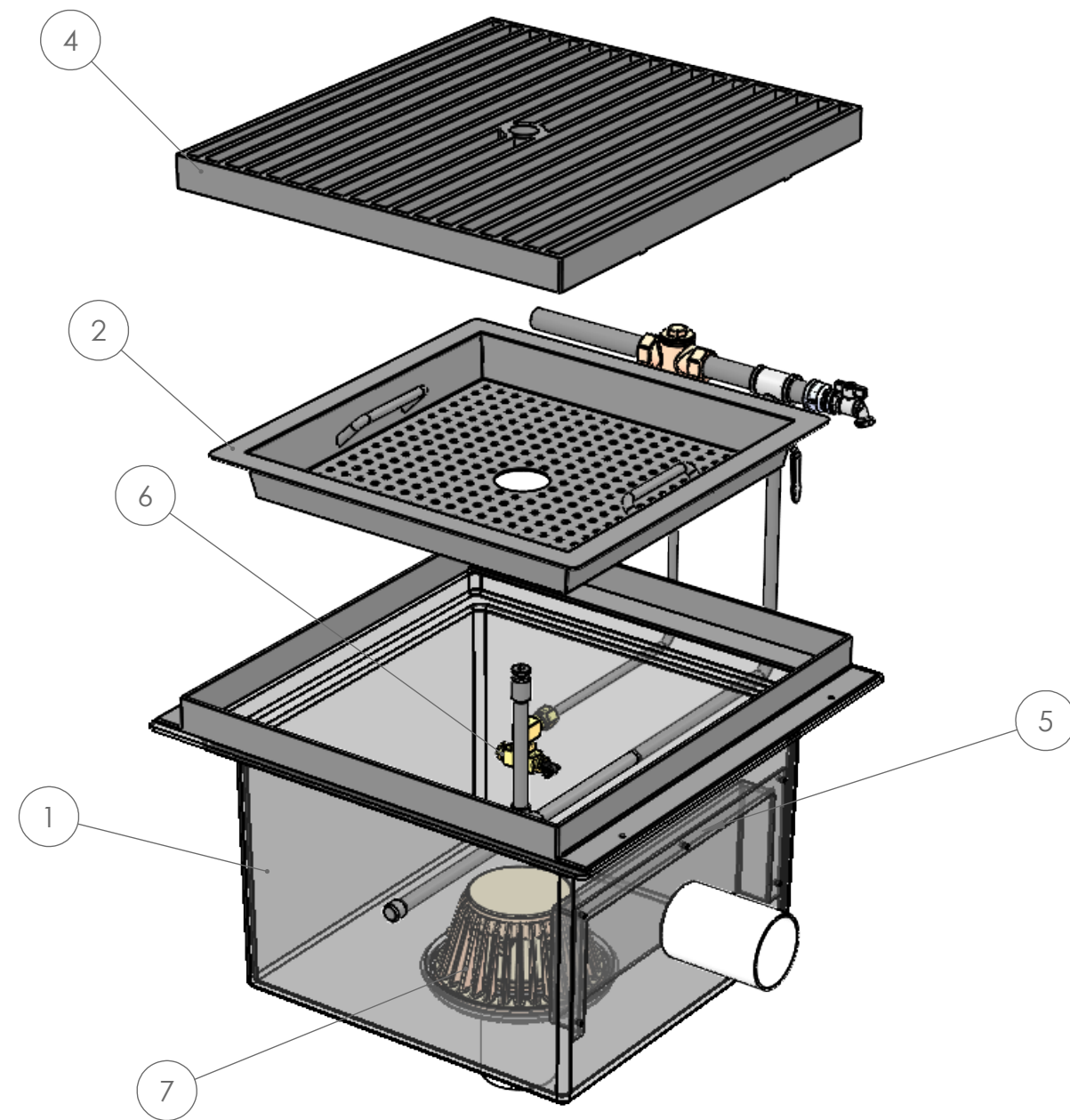


SECTION A-A  
SCALE 1 : 5



ITEM NO.	PART NUMBER	DESCRIPTION	QTY.
1	WDS-1006-001	Heavy Duty Molded Fiberglass Pit with Hydrocarbon Baffle and 4-Inch Outlets to Sewer and Storm Water	1
2	WDS-1006-002	Stainless Steel Silt and Solids Basket	1
3	WDS-1006-003	Grate Frame	1
4	WDS-1006-004	ADA Grate	1
5	WDS-1006-005	Hydrocarbon Entrapment Baffle	1
6	WDS-1003-Fitting Assembly	Drive Line Fitting Assembly	1
7	WDS-1001	Hydraulically Operated Diversion Valve	1

**Wastewater Diversion Systems Inc**

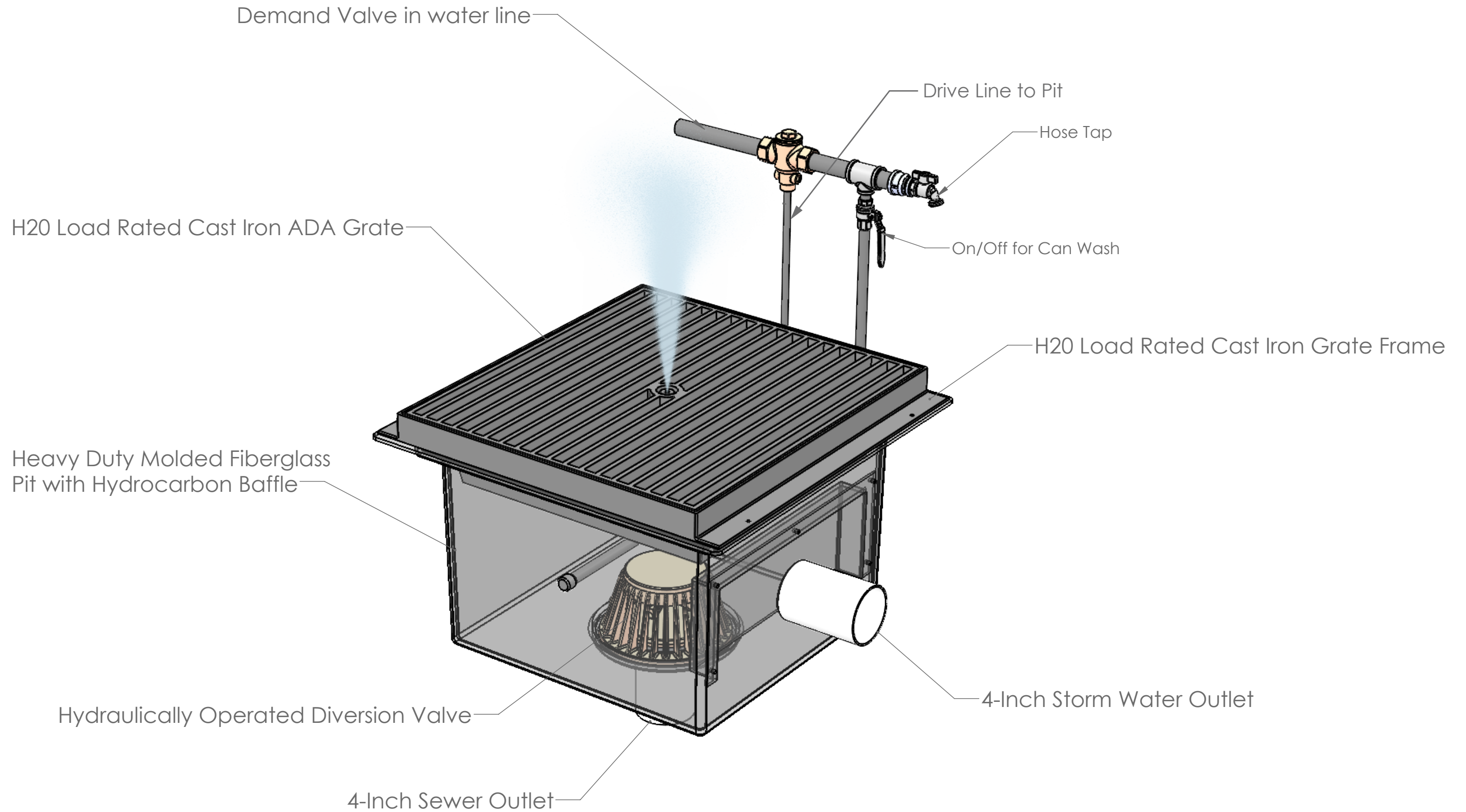
(804) 730-1280  
8418 Erle Rd  
Mechanicsville, VA 23116

**WDS-1006**

**(WDS Demand Driven Wash down With Can Wash)**

**11/28/2023**

**SEK**



**Wastewater Diversion Systems Inc**  
 (804) 730-1280  
 8418 Erle Rd  
 Mechanicsville, VA 23116

WDS-1006	(WDS Demand Driven Wash down With Can Wash)	11/28/2023	SEK
----------	---	------------	-----