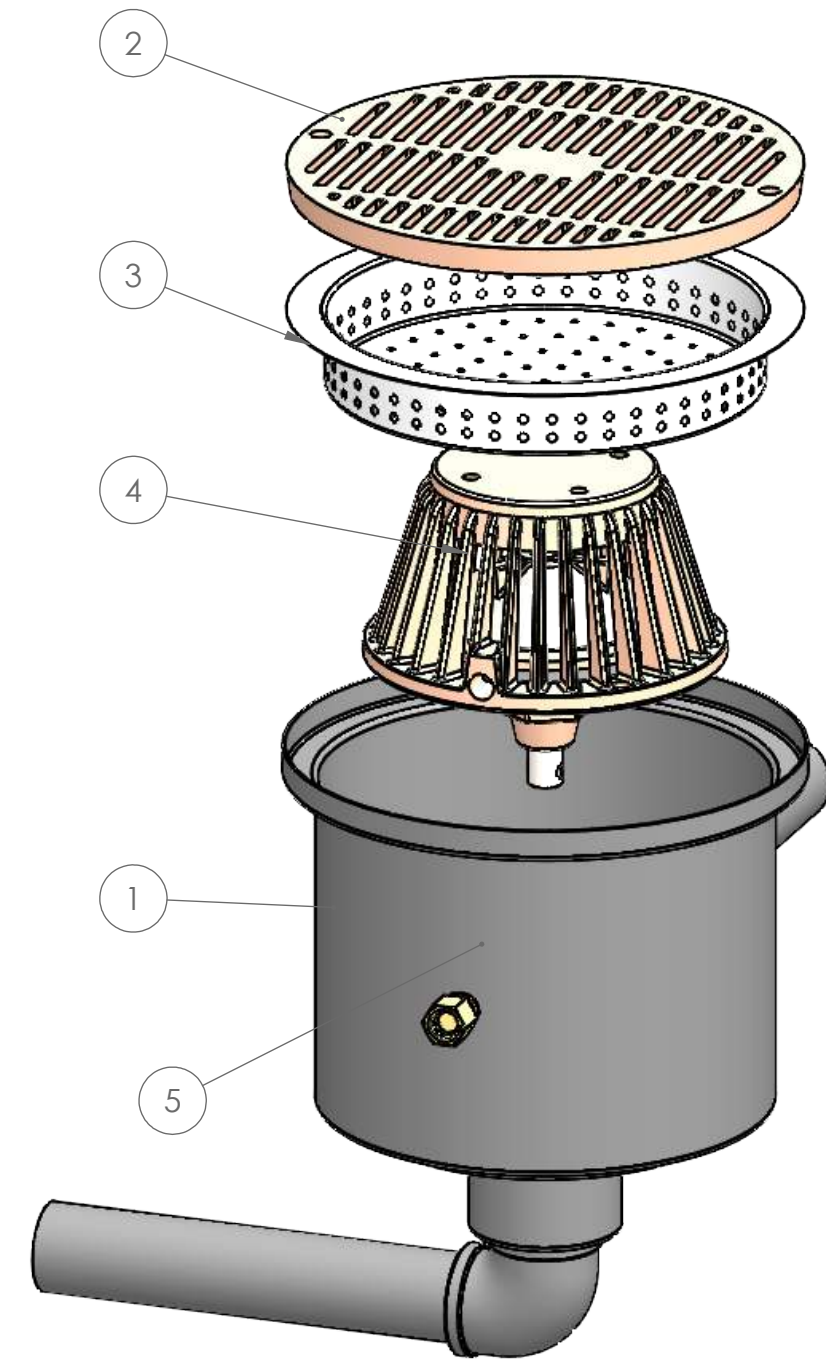


SECTION A-A  
SCALE 1 : 3



ITEM NO.	PART NUMBER	DESCRIPTION	QTY.
1	WDS-1003-001	Circular Pit	1
2	WDS-1003-002	13 1/2" Grate	1
3	WDS-1003-003	Silt Basket	1
4	WDS-1001	6" Diversion Valve	1
5	WDS-1003-Fitting Assembly	Drive Line Fitting Assembly	1

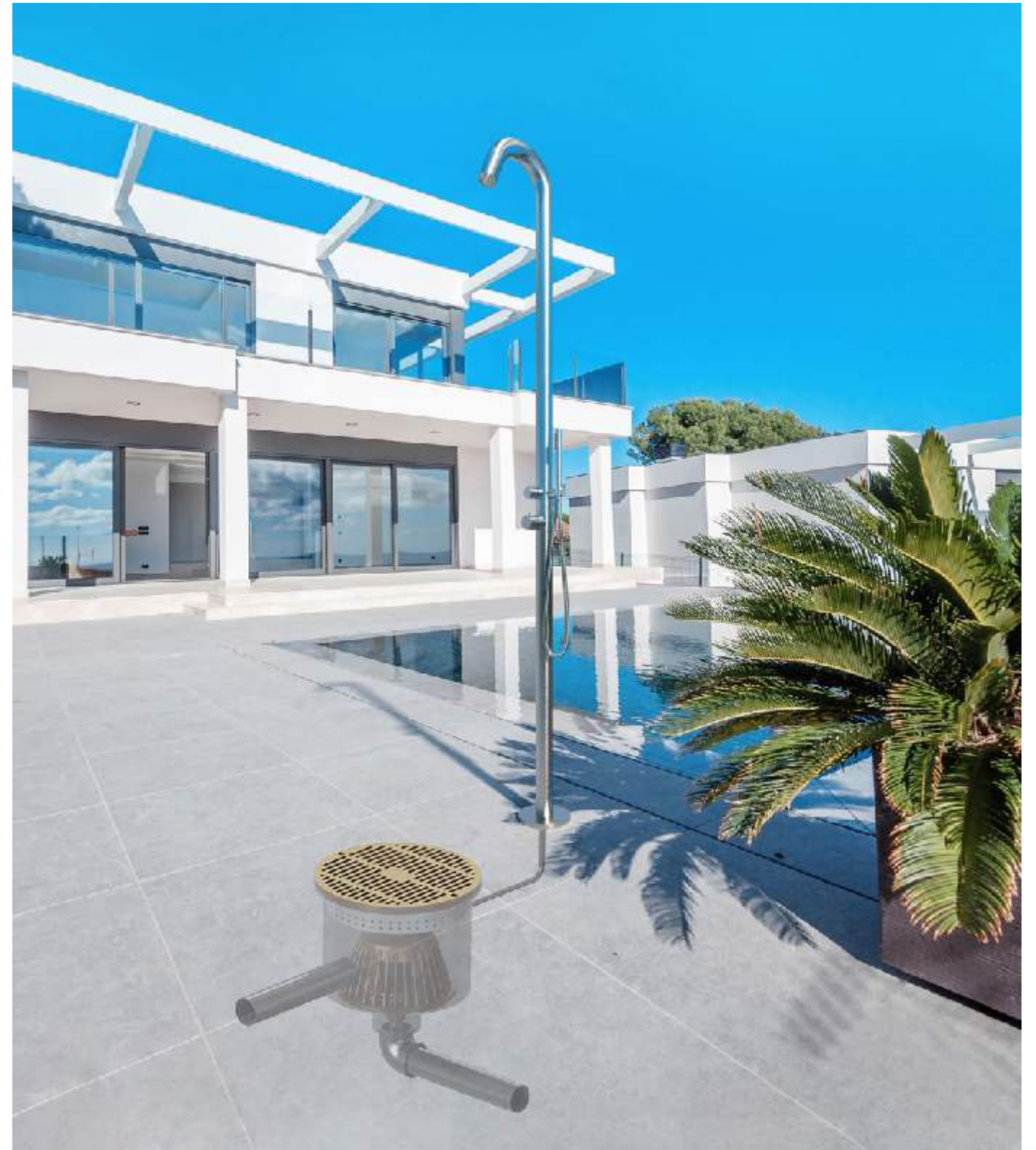
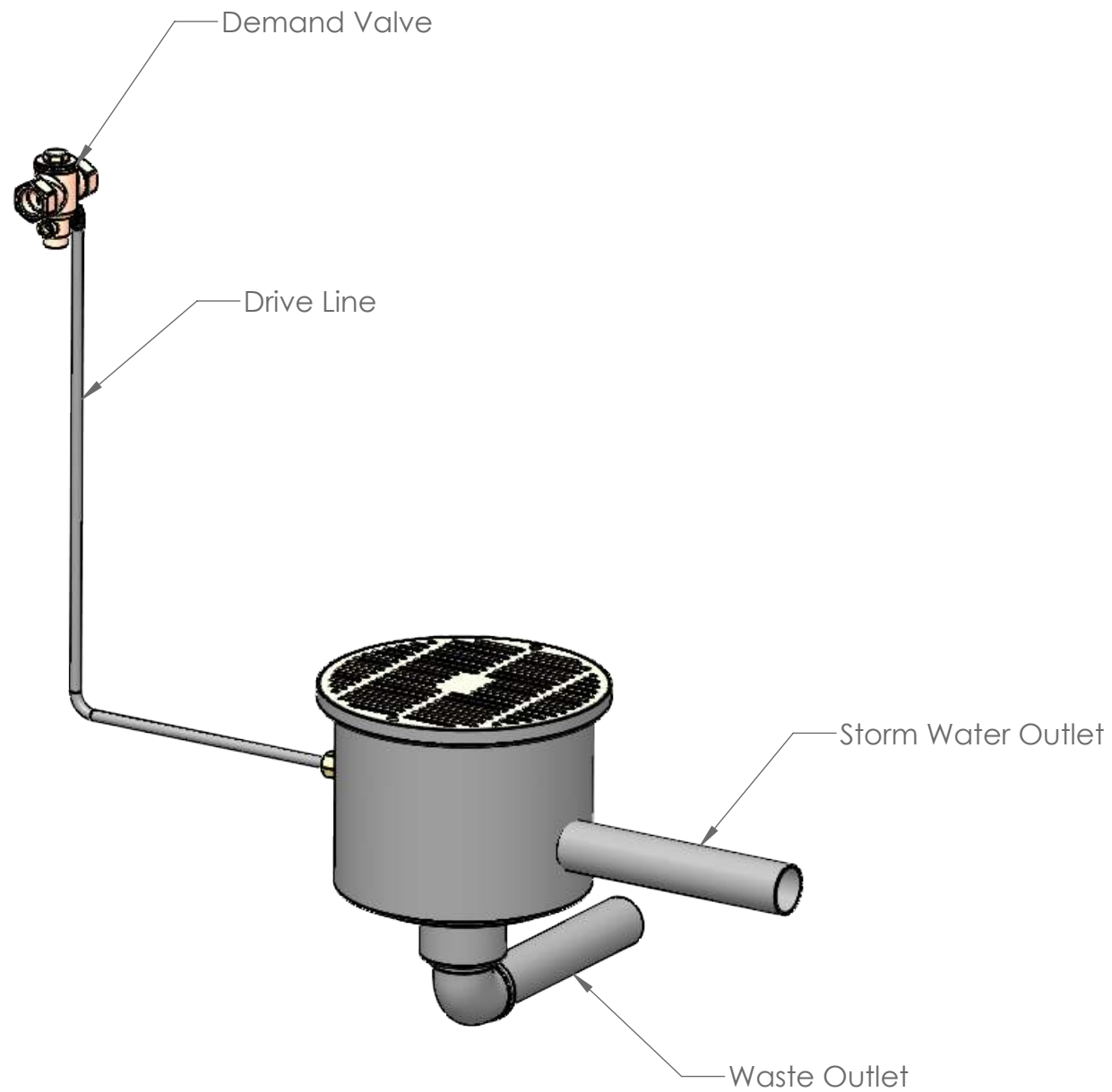
**Wastewater Diversion Systems Inc**  
 (804) 730-1280  
 8418 Erle Rd  
 Mechanicsville, VA 23116

**WDS-1003**

**Beach, Deck, Chemical and Pool Showers**

**8/9/2023**

**SEK**



**Wastewater Diversion Systems Inc**  
 (804) 730-1280  
 8418 Erle Rd  
 Mechanicsville, VA 23116

WDS-1003

Beach, Deck, Chemical and Pool Showers

8/9/2023

SEK