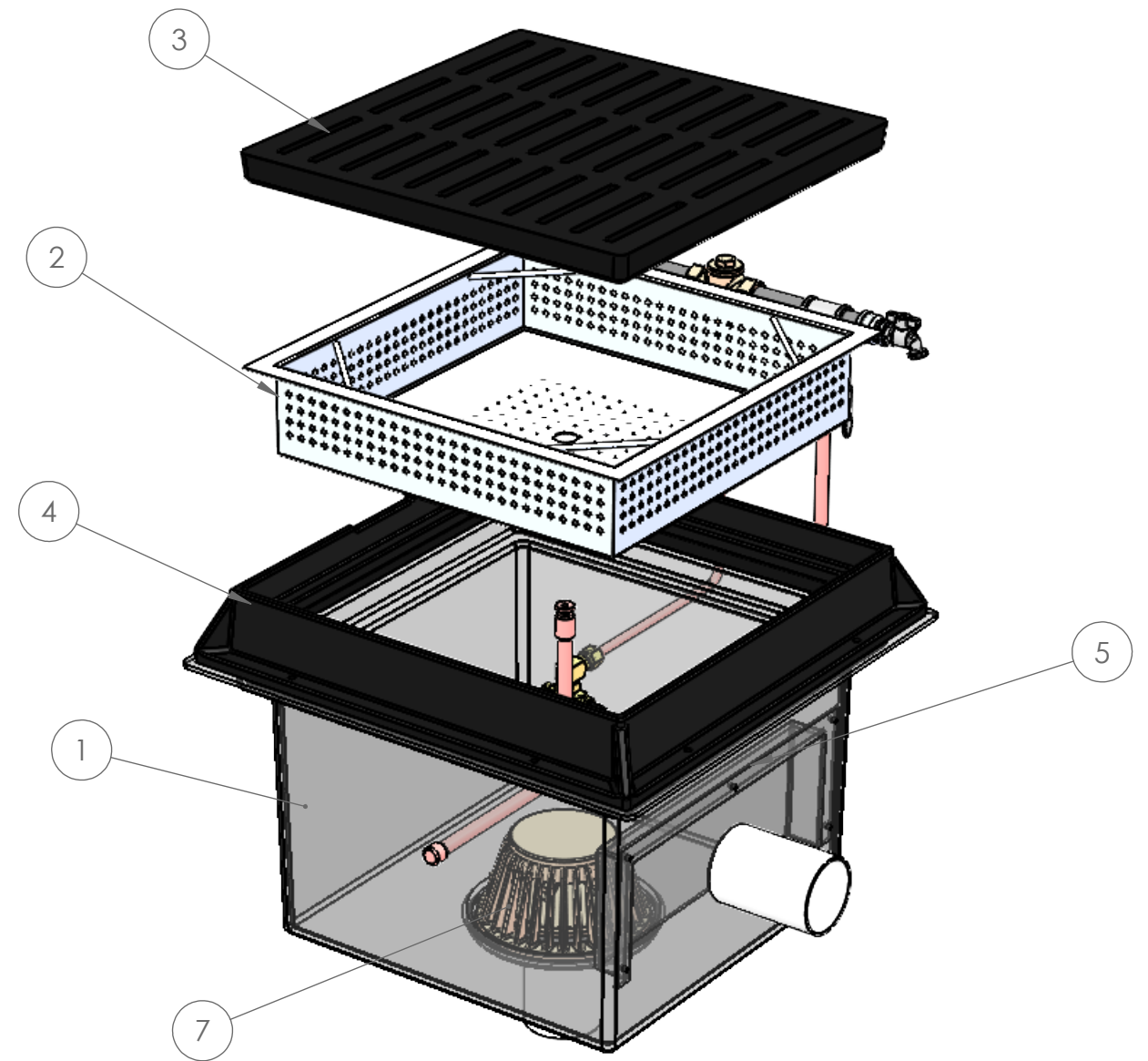


SECTION A-A
SCALE 1 : 5



ITEM NO.	PART NUMBER	DESCRIPTION	QTY.
1	WDS-1006-001	Heavy Duty Molded Fiberglass Pit with Hydrocarbon Baffle and 4-Inch Outlets to Sewer and Storm Water	1
2	WDS-1004-002REV1	Stainless Steel Silt and Solids Basket	1
3	WDS-1004-004	H20 Load Rated Cast Iron ADA Grate	1
4	WDS-1004-003	H20 Load Rated Cast Iron Grate Frame	1
5	WDS-1006-005	Hydrocarbon Entrapment Baffle	1
6	WDS-1003-Fitting Assembly	Drive Line Fitting Assembly	1
7	WDS-1001	Hydraulically Operated Diversion Valve	1

Wastewater Diversion Systems Inc

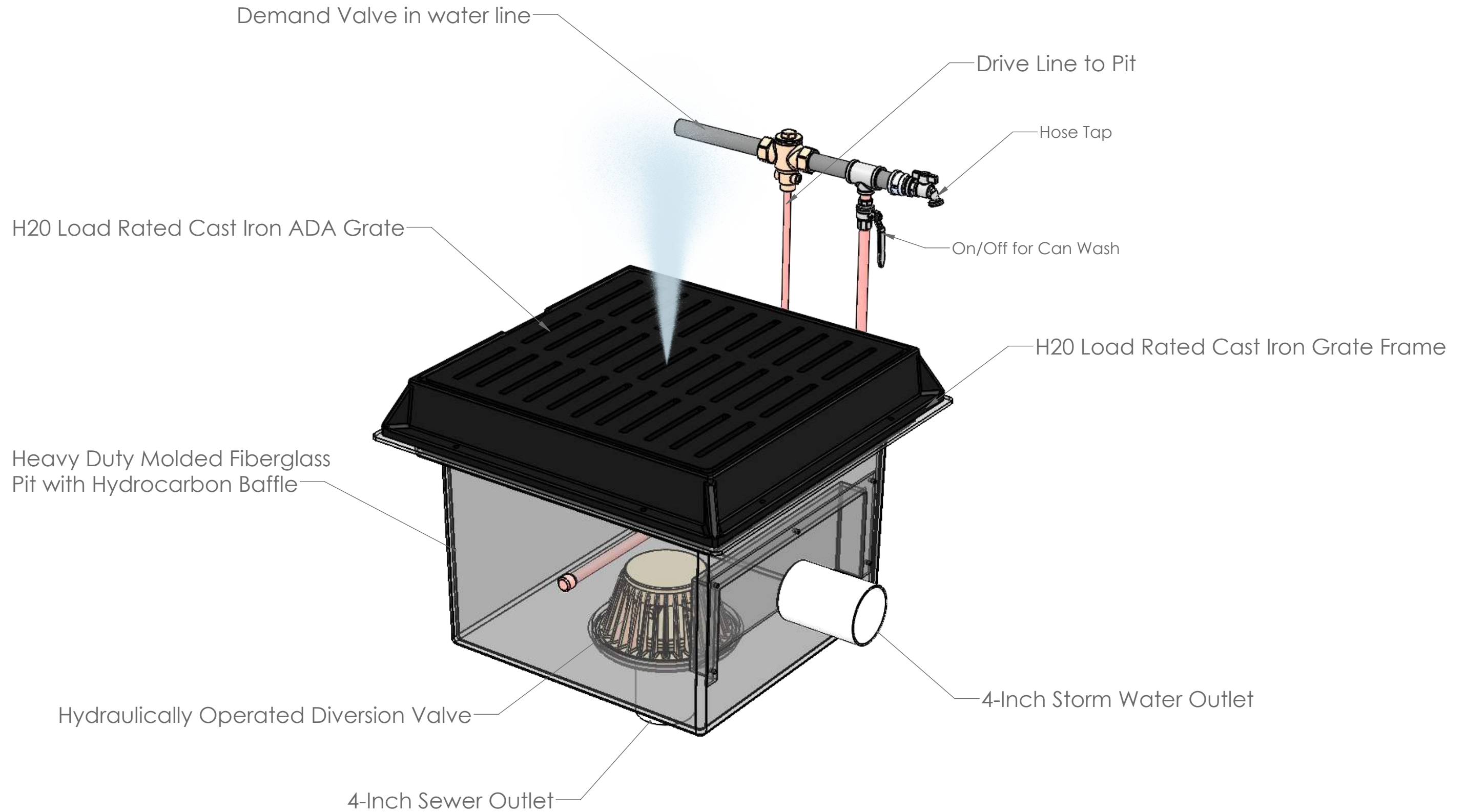
(804) 730-1280
8418 Erle Rd
Mechanicsville, VA 23116

WDS-1006

(WDS Demand Driven Wash down With Can Wash)

2/12/2024

SEK



Wastewater Diversion Systems Inc
 (804) 730-1280
 8418 Erle Rd
 Mechanicsville, VA 23116

WDS-1006	(WDS Demand Driven Wash down With Can Wash)	2/12/2024	SEK
----------	---	-----------	-----