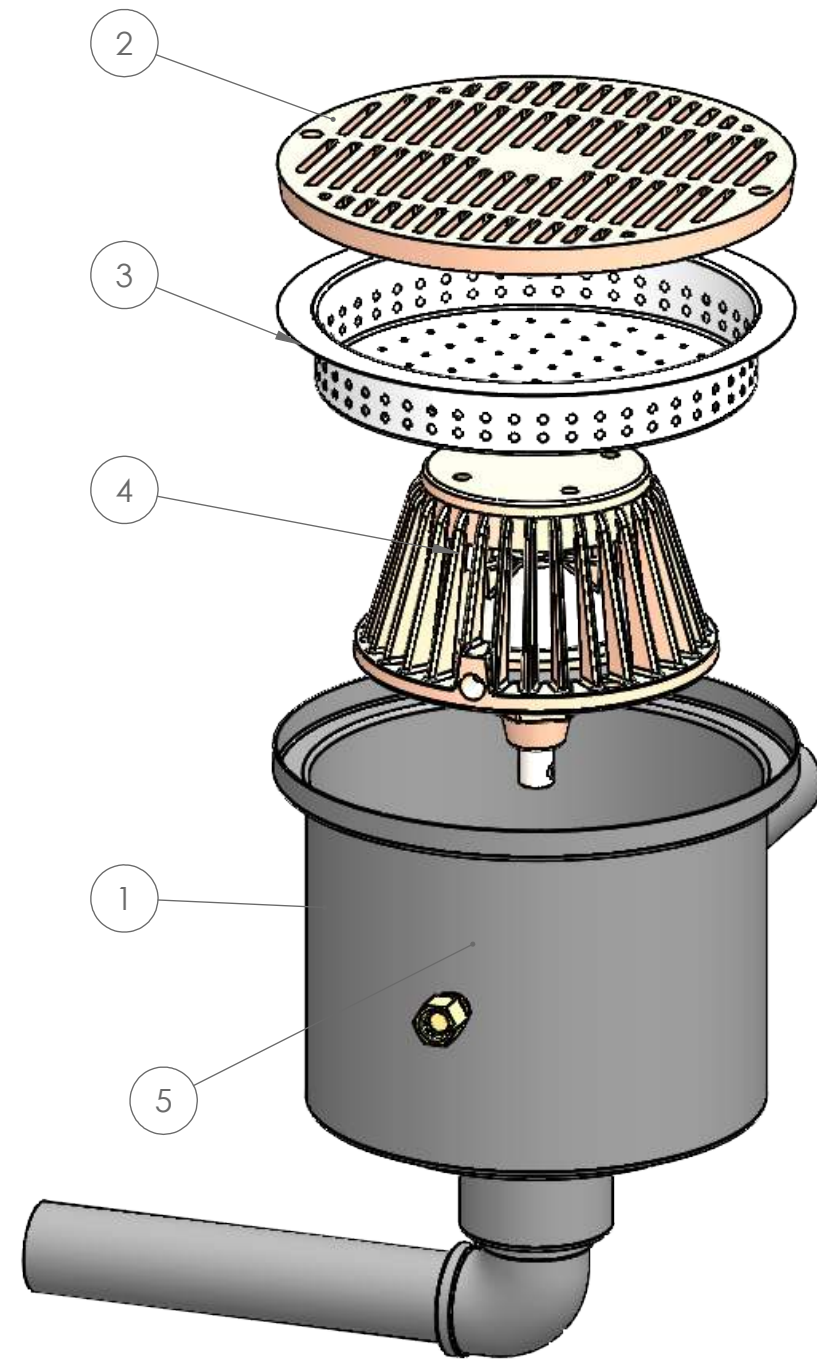


SECTION A-A
SCALE 1 : 3



ITEM NO.	PART NUMBER	DESCRIPTION	QTY.
1	WDS-1003-001	Circular Pit	1
2	WDS-1003-002	13 1/2" Grate	1
3	WDS-1003-003	Silt Basket	1
4	WDS-1001	6" Diversion Valve	1
5	WDS-1003-Fitting Assembly	Drive Line Fitting Assembly	1



IAPMO IGC 234 2016
File Number 16834

Wastewater Diversion Systems Inc

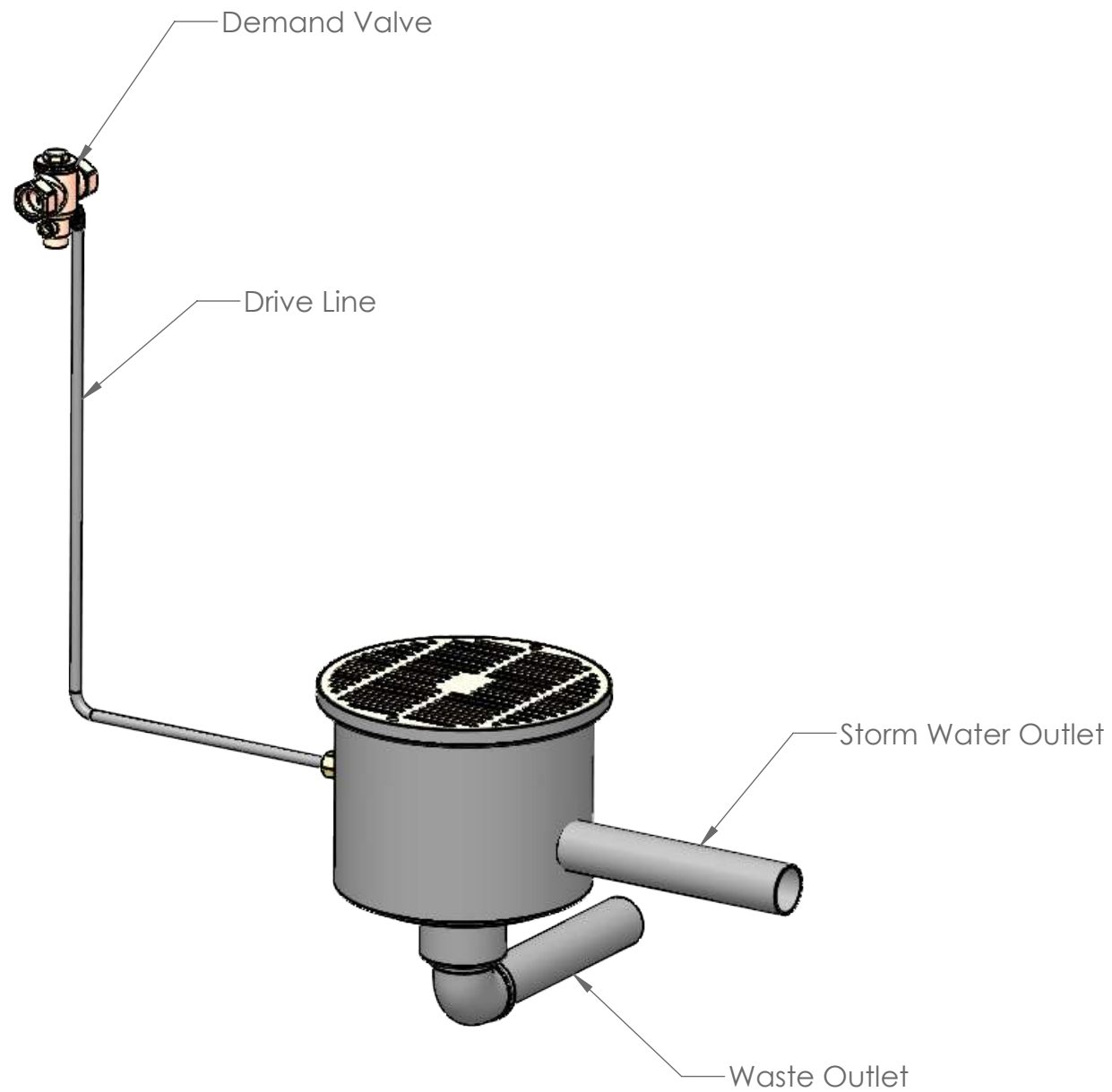
(804) 730-1280
8418 Erle Rd
Mechanicsville, VA 23116

WDS-1003

Beach, Deck, Chemical and Pool Showers

8/9/2023

SEK



IAPMO ICC 234 2016
File Number 16834



Wastewater Diversion Systems Inc

(804) 730-1280
8418 Erle Rd
Mechanicsville, VA 23116

WDS-1003

Beach, Deck, Chemical and Pool Showers

8/9/2023

SEK