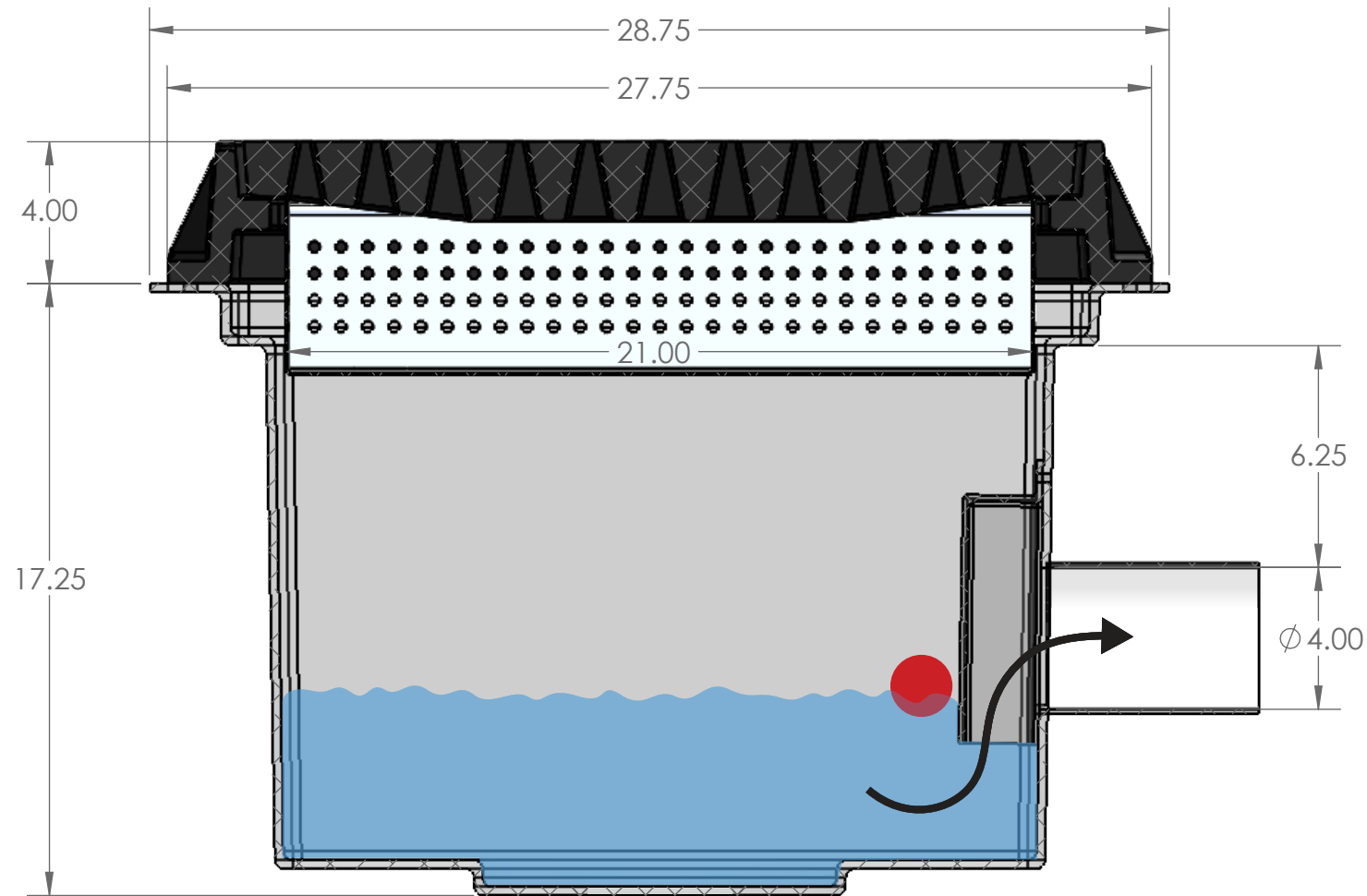
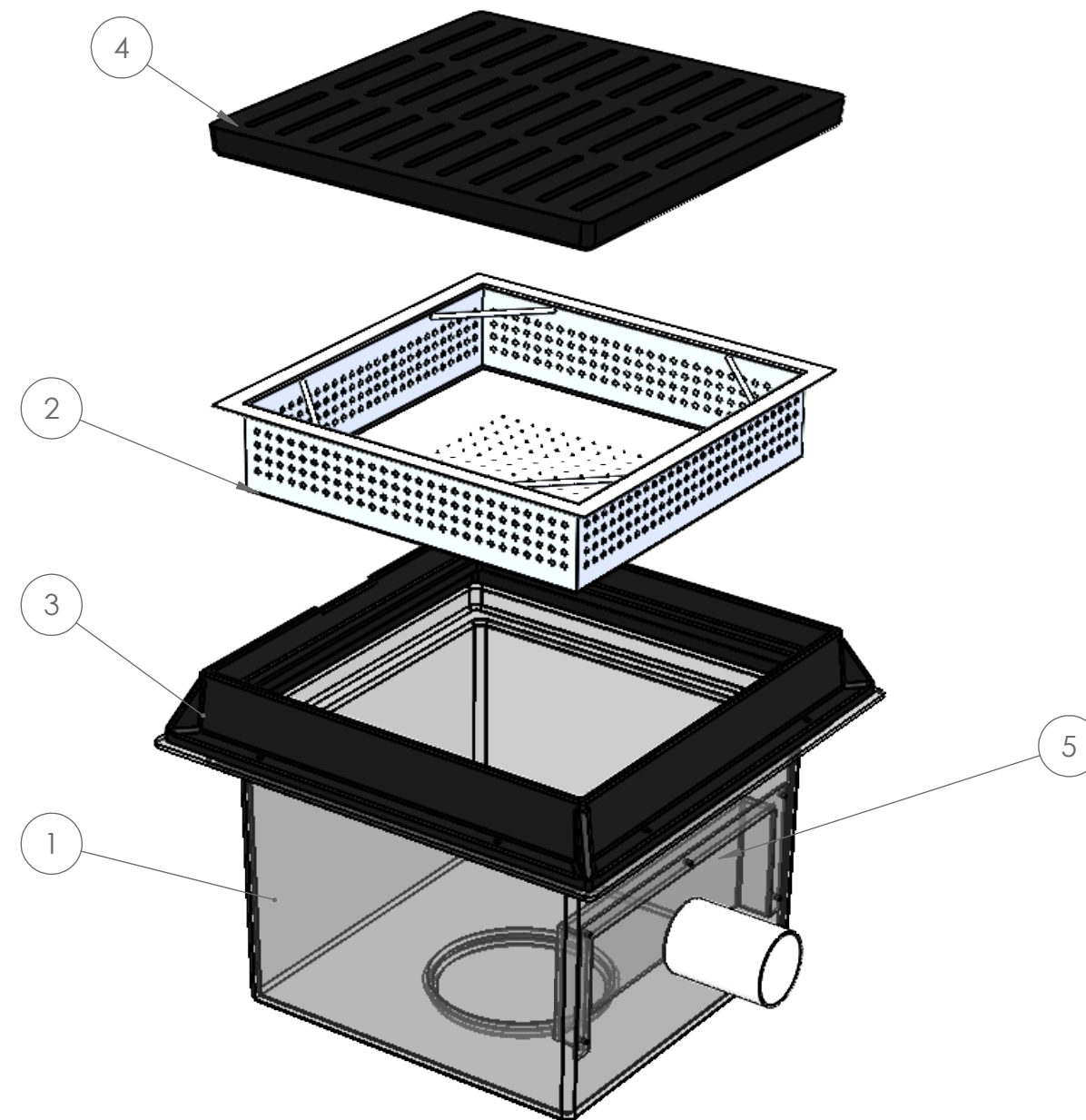


Oil Absorbing Sock:
Absorbs and retains oils and oil-based liquids, including lubricants and fuels, without absorbing water.



SECTION A-A
SCALE 1 : 5



ITEM NO.	PART NUMBER	DESCRIPTION	QTY.
1	WDS-1004-001	Heavy Duty Molded Fiberglass Pit with Hydrocarbon Baffle and 4-Inch Outlets to Sewer and Storm Water	1
2	WDS-1004-002	Stainless Steel Silt and Solids Basket	1
3	WDS-1004-003	H2O Load Rated Cast Iron Grate Frame	1
4	WDS-1004-004	H2O Load Rated Cast Iron ADA Grate	1
5	WDS-1004-005	Hydrocarbon Entrapment Baffle	1

Wastewater Diversion Systems Inc
(804) 730-1280
8418 Erle Rd
Mechanicsville, VA 23116

WDS-1004

Oil, Silt, Solids Containment Chamber

10/3/2023

SEK

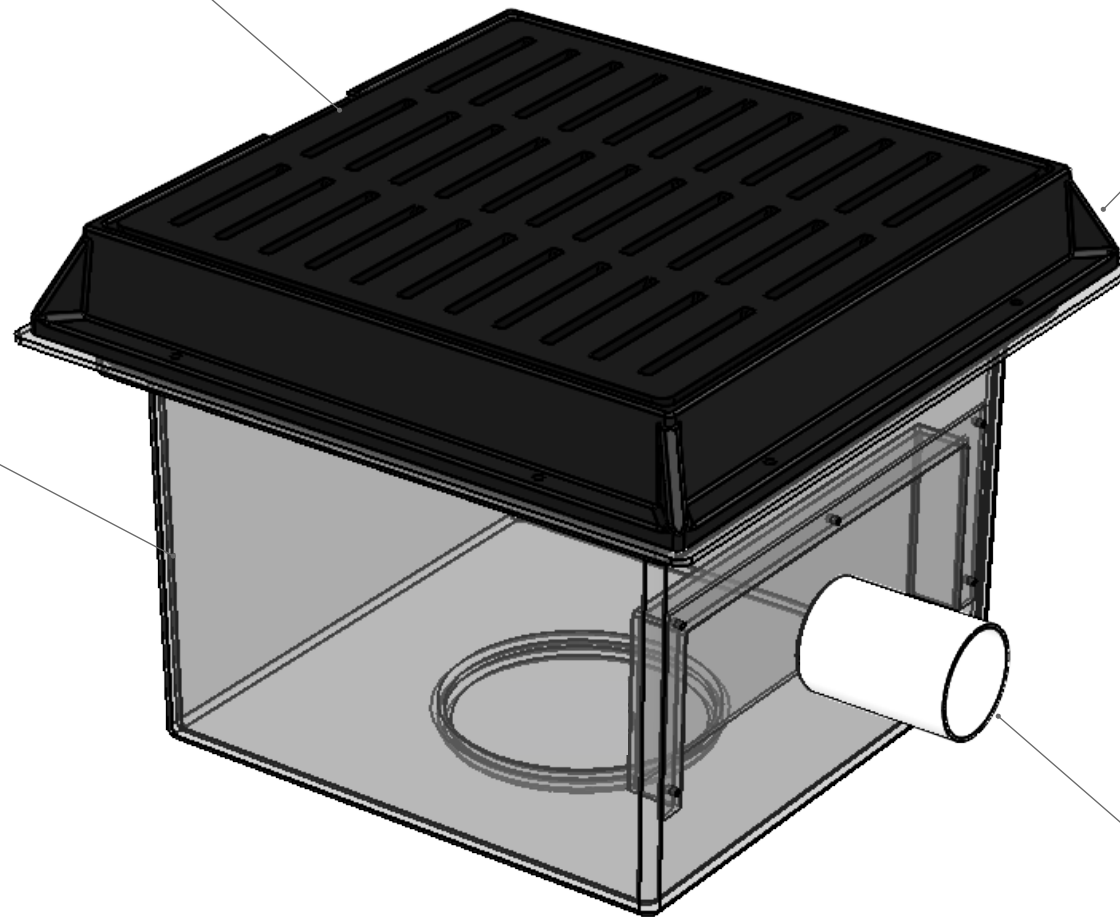
Solids Containment Chamber

H2O Load Rated Cast Iron ADA Grate

H2O Load Rated Cast Iron Grate Frame

Heavy Duty Molded Fiberglass Pit with Hydrocarbon Baffle

4-Inch Storm Water Outlet



IAPMO ICC 234 2016
File Number 16834

Wastewater Diversion Systems Inc

(804) 730-1280

8418 Erle Rd

Mechanicsville, VA 23116

WDS-1004 (9-22-23)

(WDS SCC4)

9/22/2023

SEK