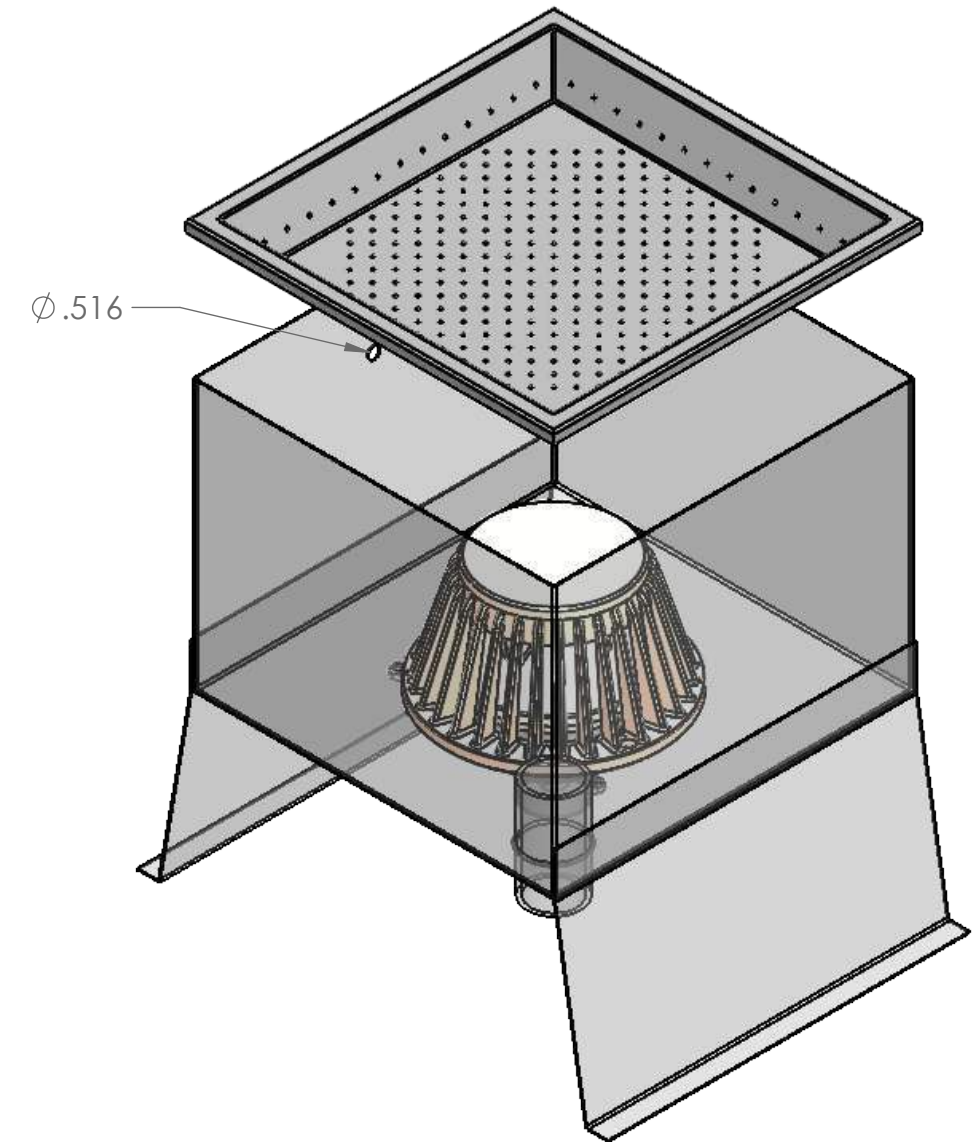
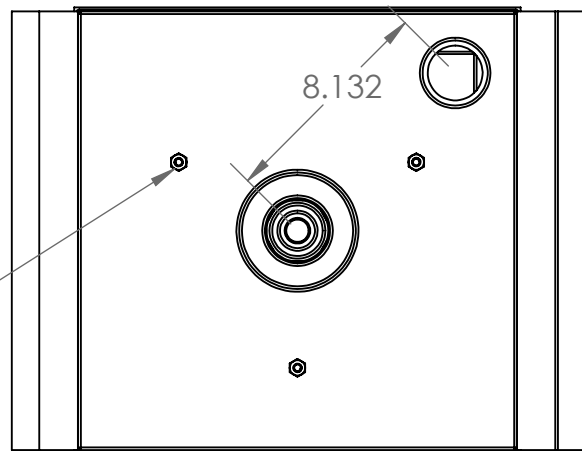


SECTION A-A  
SCALE 1 : 7

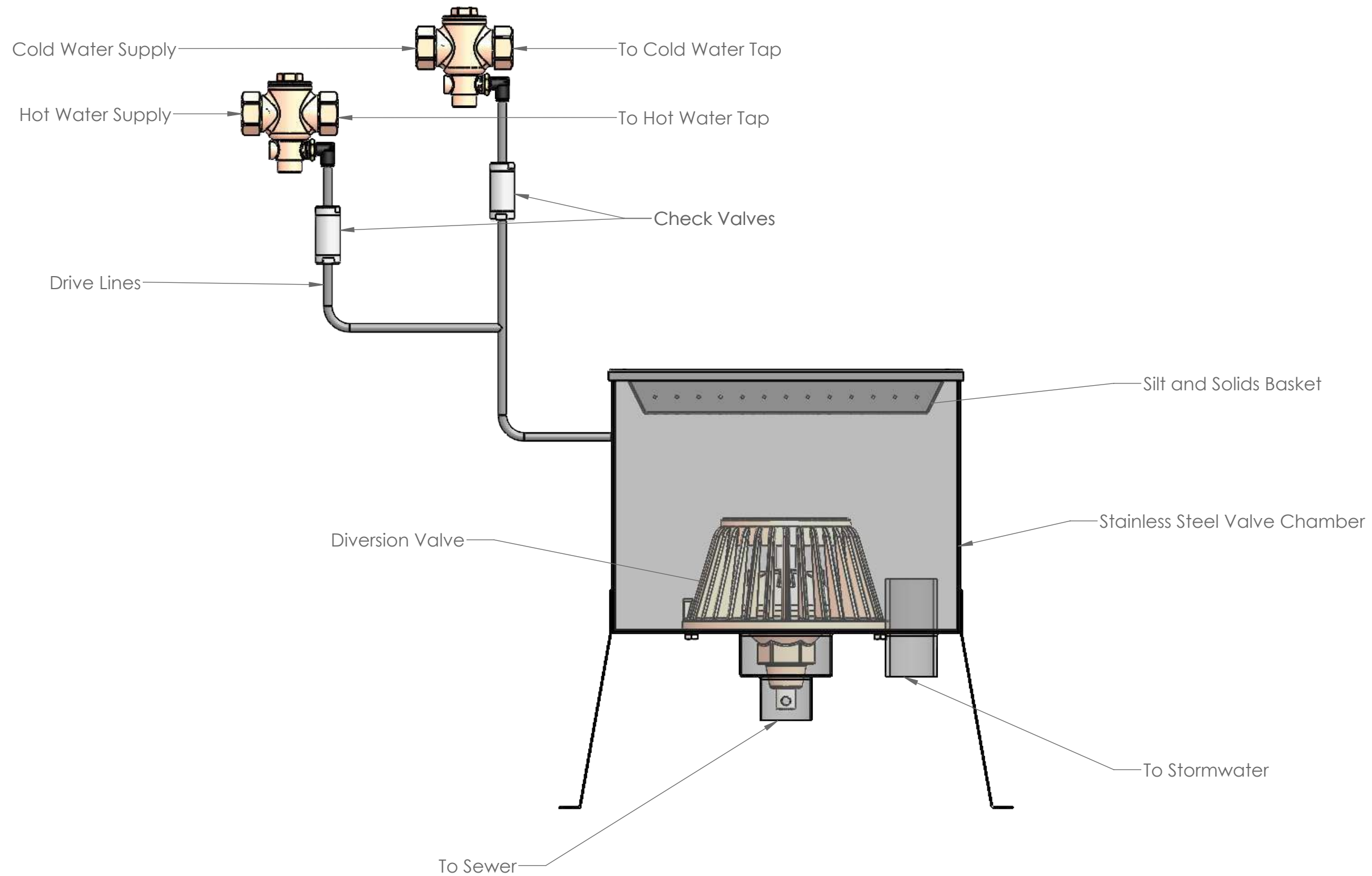


IAPMO IGC 234 2016  
File Number 16834

5/16-18  
Weldnuts



ITEM NO.	PART NUMBER	DESCRIPTION	QTY.
1	WDS-1007-001	Stainless Steel Valve Chamber	1
2	WDS-1007-002	Straining Basket	1
3	WDS-1001	Hydraulically Operated Diversion Valve	1
4	95508A200	18-8 Stainless Steel Hex Weld Nut	3



IAPMO IGC 234 2016  
File Number 16834



IAPMO IGC 234 2016  
File Number 16834